

KIT/301-08LB-W/8*2122SR3-F40W-D



Key Features

NVR301-08LB-W

- Embedded WiFi Module with high-performance and high stability
- Support CCMP encryption and WPA2-PSK authentication, Support IP cameras with WiFi in access
- Support Ultra 265/H.265/H.264 video formats
- 8-channel input
- Third-party IP cameras supported with ONVIF conformance: Profile S, Profile G, Profile T
- Support 1-ch HDMI, 1-ch VGA
- HDMI and VGA synchronous outputs provided
- Up to 1080p resolution recording
- 1 SATA HDD, Up to 10TB for each HDD
- ANR technology to enhance the storage reliability when the network is disconnected
- Support cloud upgrade

IPC2122SR3-F40W-D

- Day/night functionality
- Smart IR , up to 30 m (98 ft) IR distance
- Optical glass window with higher light transmittance
- IR anti-reflection window to increase the infrared transmittance
- 2D/3D DNR (Digital Noise Reduction)
- Ultra 265,H.265, H.264, MJPEG
- Embedded smart algorithm
- Triple streams
- 9:16 corridor format
- ONVIF Conformance
- Wide temperature range: -30°C ~ +55°C (-22°F ~ 131°F)
- Wide voltage range of ±25%
- IP66

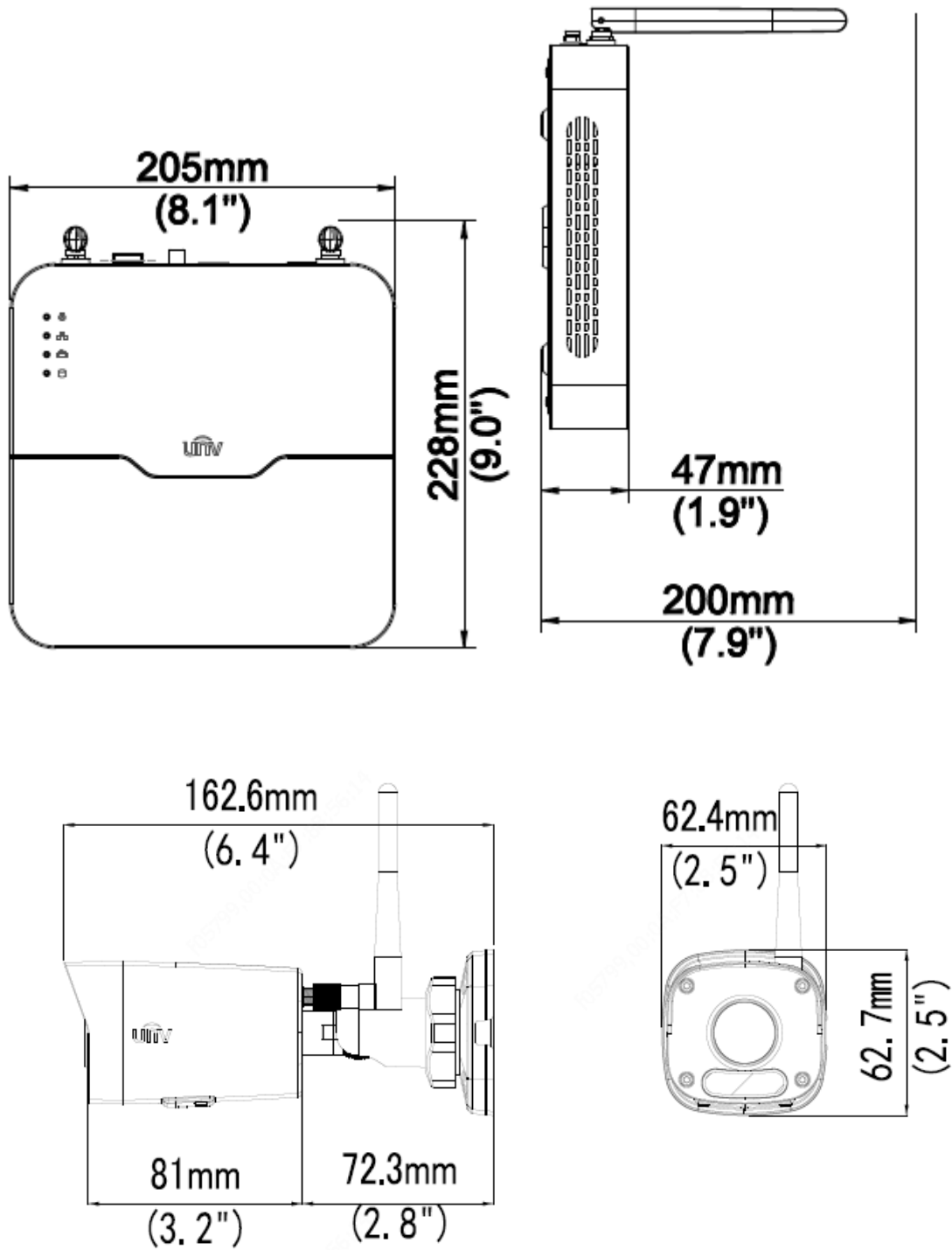
Specifications

| | |
|---------------------------|---|
| Model | NVR301-08LB-W |
| Video/Audio Input | |
| IP Video Input | 8-ch |
| Network | |
| Incoming Bandwidth | 40Mbps |
| Outgoing Bandwidth | 40Mbps |
| Remote Users | 128 |
| Protocols | P2P, UPnP, NTP, DHCP, PPPoE |
| Video/Audio Output | |
| HDMI/VGA Output | HDMI: 1920x1080p /60Hz, 1920x1080p /50Hz, 1600x1200 /60Hz, 1280x1024 /60Hz, 1280x720 /60Hz, 1024x768 /60Hz VGA: 1920x1080p /60Hz, 1920x1080p /50Hz, 1600x1200 /60Hz, 1280x1024 /60Hz, 1280x720 /60Hz, 1024x768 /60Hz |
| Recording Resolution | 1080p/960p/720p/D1/2CIF/CIF |
| Audio Output | 1-ch, RCA |
| Synchronous Playback | 8-ch |
| Corridor Mode Screen | 3/4/5/7/9 |

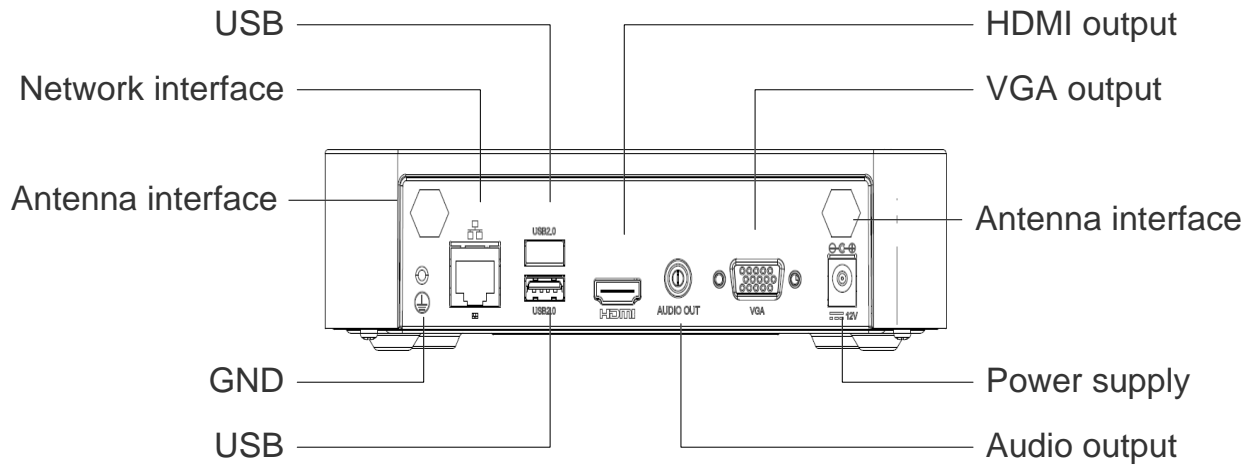
| Decoding | | | | | |
|-------------------------|---|-----------|--------------|--------------|-----------------|
| Decoding format | Ultra 265/H.265/H.264 | | | | |
| Live view/ Playback | 1080p/960p/720p/D1/2CIF/CIF | | | | |
| Capability | 4 x 1080P@20, 4 x 720P@30,8 x D1@30 | | | | |
| Hard Disk | | | | | |
| SATA | 1 SATA interface | | | | |
| Capacity | Up to 10TB for each HDD | | | | |
| External Interface | | | | | |
| Network Interface | 1 RJ45 10M/100M self-adaptive Ethernet Interface | | | | |
| USB Interface | Rear panel: 2 x USB2.0 | | | | |
| Wi-Fi | | | | | |
| Frequency | 2.4GHz | | | | |
| Transmission Rate | 150Mbps | | | | |
| Wireless Standards | IEEE 802.11b/g/n | | | | |
| Wireless Range | 280m(open environment) | | | | |
| General | | | | | |
| Power Supply | 12V DC Power Consumption: ≤ 9 W(without HDD) | | | | |
| Working Environment | -10°C ~ + 55°C (+14°F ~ +131°F), Humidity ≤ 90% RH(non-condensing) | | | | |
| Dimensions(W×D×H) | 205mm ×228mm ×47mm (8.1" × 9.0"×1.9") | | | | |
| Weight (without HDD) | ≤ 0.98Kg(2.16lb) | | | | |
| Model | IPC2122SR3-F40W-D | | | | |
| Sensor | 1/2.7", 2.0 megapixel, progressive scan, CMOS | | | | |
| Lens | 4.0mm@F2.0 | | | | |
| DORI Distance | Lens | Detect(m) | Observe(m) | Recognize(m) | Identify(m) |
| | 4mm | 60 | 24 | 12 | 6 |
| Angle of view(H) | 86.5° | | | | |
| Angle of View (V) | 44.1° | | | | |
| Angle of View (O) | 106.4° | | | | |
| Adjustment angle | Pan: 0°~360° | | Tilt: 0°~90° | | Rotate: 0°~360° |
| Shutter | Auto/Manual, 1 ~ 1/100000s | | | | |
| Minimum Illumination | Colour: 0.02 Lux (F2.0 AGC ON) 0 Lux with IR on | | | | |
| Day/Night | IR-cut filter with auto switch (ICR) | | | | |
| Digital noise reduction | 2D/3D DNR | | | | |
| S/N | >52dB | | | | |
| IR Range | Up to 30m (98 ft) IR range | | | | |
| Defog | Digital Defog | | | | |
| WDR | DWDR | | | | |
| Video | | | | | |
| Video Compression | Ultra 265, H.265, H.264, MJPEG | | | | |
| H.264 code profile | Baseline profile, Main Profile | | | | |
| Frame Rate | Main Stream:2MP (1920×1080): Max. 20 fps; Sub Stream: 720P (1280×720): Max. 20 fps; Third Stream: 4CIF (704×576): Max. 20 fps | | | | |

| | |
|------------------------|---|
| 9:16 Corridor Mode | Supported |
| HLC | Supported |
| BLC | Supported |
| OSD | Up to 4 OSDs |
| Privacy Mask | Up to 4 areas |
| ROI | Up to 2 areas |
| Motion Detection | Up to 4 areas |
| Storage | |
| Edge Storage | Micro SD, up to 256 GB |
| Network Storage | ANR |
| Network | |
| Protocols | IPv4, IGMP, ICMP, ARP, TCP, UDP, DHCP, RTP, RTSP, RTCP, DNS, DDNS, NTP, FTP, UPnP, HTTP, HTTPS, SMTP |
| Compatible Integration | ONVIF (Profile S, Profile T), API |
| Wi-Fi | |
| Wireless Standards | IEEE802.11b/g/n |
| Frequency Range | 2.4 GHz ~ 2.4835 GHz |
| Channel Bandwidth | 20 MHz Support |
| Modulation Mode | 802.11b: CCK, QPSK, BPSK 802.11g/n: OFDM |
| Security | 64/128-bit WEP, WPA-PSK/WPA2-PSK |
| Transmit Power | 802.11b: 17±1.5dBm @11Mbps 802.11g: 14±1.5dBm @ 54Mbps 802.11n: 12.5±1.5dBm |
| Receive Sensitivity | 802.11b: -90dBm @ 11Mbps (Typical) 802.11g: -75dBm @ 54Mbps (Typical) 802.11n: -74dBm (Typical) |
| Transmission Rate | 802.11b: 11Mbps 802.11g: 54Mbps 802.11n: up to 150Mbps |
| Interface | |
| Network | 1 RJ45 10M/100M Base-TX Ethernet |
| General | |
| Power | 12 V DC(+/-25%) |
| | Power consumption: Max 6.4 W |
| Dimensions (L × W × H) | 162.6 x 62.4 x 62.7 mm (6.4"x2.5"x2.5") |
| Weight | 0.25 kg (0.55 lb) |
| Working Environment | -30°C ~ +55°C (-22°F ~ 131°F), Humidity ≤ 95% RH(non-condensing) |
| Ingress Protection | IP66 |
| Reset Button | Supported |

Dimensions



Rear Panel



Zhejiang Uniview Technologies Co., Ltd.

Building No.10, Wanlun Science Park, Jiangling Road 88, Binjiang District, Hangzhou, Zhejiang, China

Email: overseasbusiness@uniview.com; globalsupport@uniview.com

<http://www.uniview.com>

©2019 Zhejiang Uniview Technologies Co.,Ltd. All rights reserved.

*Product specifications and availability are subject to change without notice.